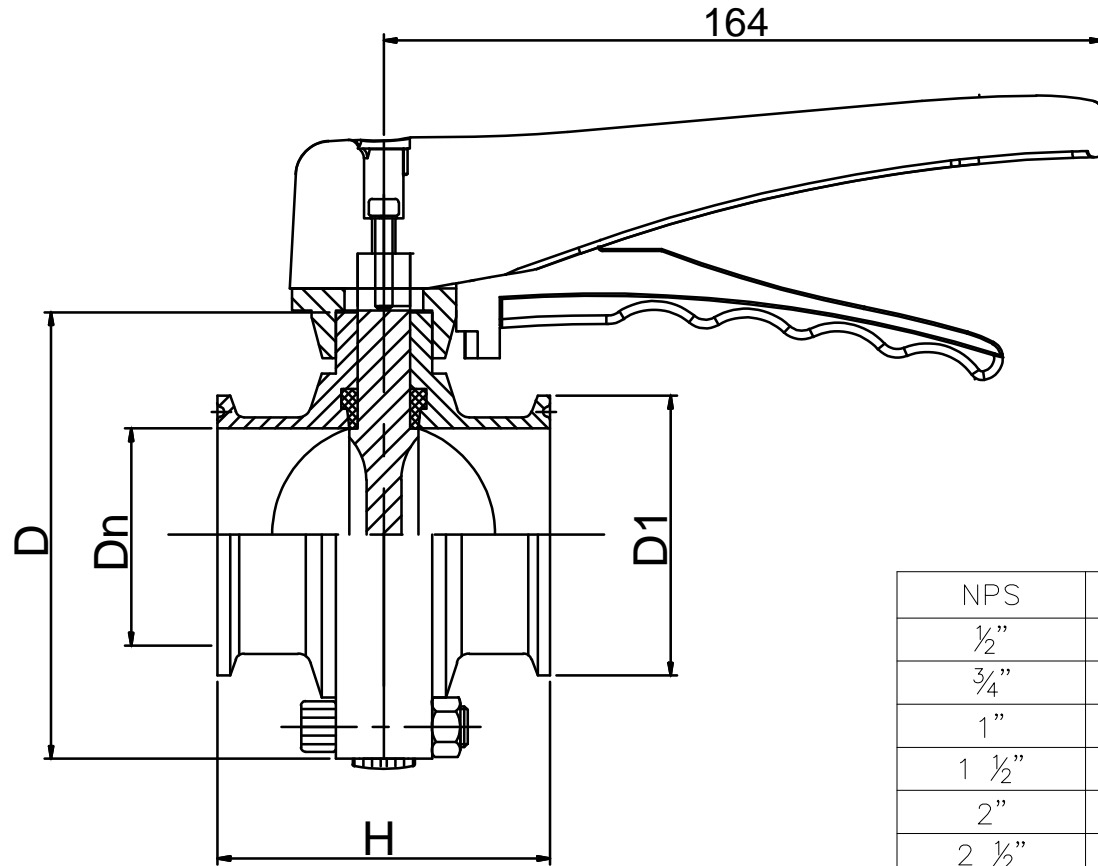


D81X-10P/RL-00



Nominal pressure			PN10				
Test pressure	Shell test	1.5	MPa	test medium	water	Test temperature	normal temperature
	seal test	1.0			air		
	Gas seal test	0.6					
Applicable medium			water,oil,gas				
Applicable temperature			20~200°F				

NPS	D	D1	Dn	H
1/2"	3.07	1.00	0.37	2.60
3/4"	3.07	1.00	0.62	2.60
1"	3.07	1.99	0.87	2.60
1 1/2"	3.39	1.99	1.37	2.76
2"	4.02	2.52	1.87	2.99
2 1/2"	4.53	3.05	2.37	3.15
3"	5.04	3.58	2.87	3.31
4"	6.06	4.69	3.83	4.09

				<b>ANIX<sup>®</sup></b>				ANIX VALVE	
								Quick-install Butterfly valve	
MARK	BEFORE MODIFIED	AFTER MODIFIED	DATE	SCALE				D81X-10P/RL-00	
DRA.		APP.							
CHK.		DATE							