

BV14(5)-3 Way L/T Port Threaded Ball Valve-1000Psi



GENERAL CHARACTERISTICS

- Reduced-port
- Blow-out-proof stem design
- Padlocking device
- Design: ASME B16.34
- Test: API 598
- End Connections: Threaded End
- Threaded Type:
ANSI B1.20.1(NPT)
ISO 7/1(BSPT,BSP)

WORKING CONDITIONS

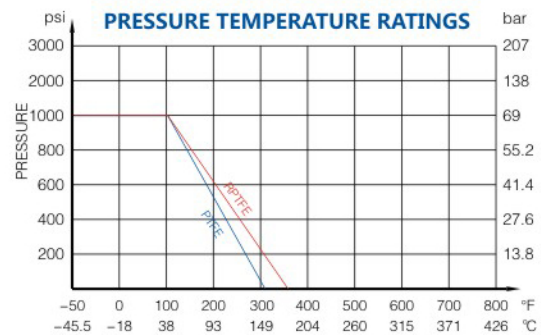
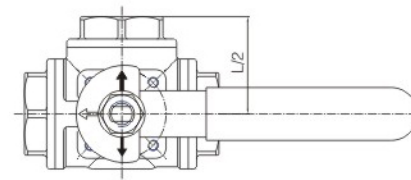
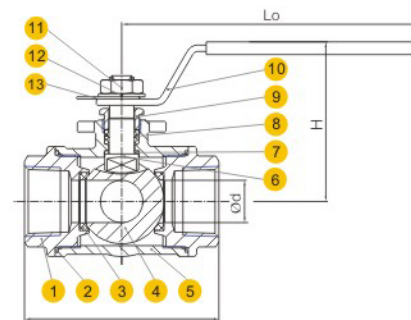
- Working Pressure: 1000Psi
- Temperature Range:
-20° to 302°F-PTFE
-20° to 356°F-RPTFE
- Applicable medium: Water, Oil, Gas



MATERIALS LIST

No.	DESCRIPTION	Q'TY	MATERIAL	
13	INDICATOR BOARD	1	304	304
12	NUT	1	A194 8	A194 8
11	WASHER	1	304	304
10	HANDLE	1	STEEL	STEEL
9	GLAND	1	304	304
8	PACKING	1	PTFE	RPTFE
7	STEM WASHER	1	PTFE	RPTFE
6	STEM	1	A276 316	A276 316
5	BODY	1	A351 CF8M	A351 CF8M
4	BALL	1	SS316	SS316
3	SEAT	4	PTFE	RPTFE
2	GASKET	3	PTFE	RPTFE
1	BONNET	3	A351 CF8M	A351 CF8M
No.	DESCRIPTION	Q'TY	MATERIAL	

Note: Please contact us for other material requirements.



DIMENSIONS-1000Psi

SIZE	L	d	Lo	H	Weight(lb)	Torque(lbf · in)
1/4"	2.795	0.394	3.937	2.244	1.146	49
3/8"	2.795	0.394	3.937	2.244	1.102	49
1/2"	2.913	0.472	4.331	2.303	1.268	62
3/4"	3.465	0.591	4.724	2.362	1.962	97
1"	3.622	0.787	5.512	2.835	2.646	124
1 1/4"	4.882	0.984	5.512	3.228	5.137	212
1 1/2"	5.433	1.26	7.087	3.74	7.871	283
2"	6.063	1.496	7.874	3.937	9.921	336