

BV11-Threaded Ball Valve-1000Psi



GENERAL CHARACTERISTICS

- Reduced-port
- Blow-out-proof stem design
- Padlocking device
- Design:ASME B16.34
- Test:API 598
- End Connections:Threaded End
- Threaded Type:
ANSI B1.20.1(NPT)
ISO 7/1(BSPT,BSP)

WORKING CONDITIONS

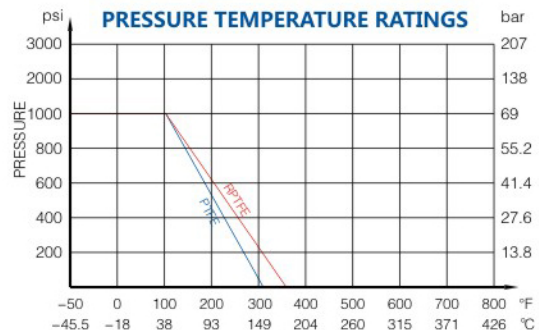
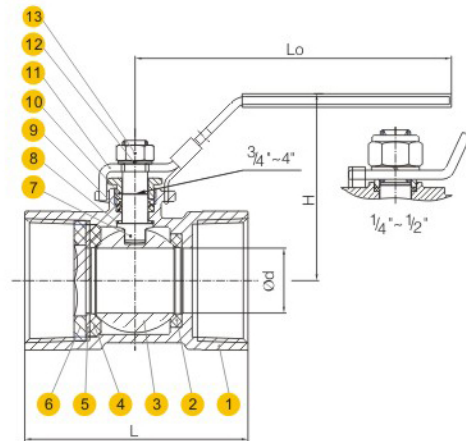
- Working Pressure:1000Psi
- Temperature Range:
-20° to 302°F-PTFE
-20° to 356°F-RPTFE
- Applicable medium:Water,Oil,Gas



MATERIALS LIST

No.	DESCRIPTION	Q'TY	MATERIAL	
13	NUT	1	A194 8	A194 8
12	SPRING WASHER	1	304	304
11	HANDEL	1	Steel	Steel
10	GLAND	1	304	304
9	PACKING	1	PTFE	RPTFE
8	STEM WASHER	1	PTFE	RPTFE
7	STEM	1	A276 316	A276 316
6	NUT	1	316	316
5	GASKET	1	316	316
4	SEAT RING 2	1	PTFE	RPTFE
3	BALL	1	SS316	SS316
2	SEAT RIGN 1	1	PTFE	RPTFE
1	BODY	1	A351 CF8M	A351 CF8M
No.	DESCRIPTION	Q'TY	MATERIAL	

Note:Please contact us for other material requirements.



DIMENSIONS-1000Psi

SIZE	L	d	Lo	H	Weight(lb)	Torque(lbf · in)
1/4"	1.58	0.2	2.76	1.32	0.15	22
3/8"	1.77	0.28	2.76	1.38	0.22	27
1/2"	2.17	0.35	3.15	1.54	0.33	31
3/4"	2.36	0.45	3.74	1.93	0.53	35
1"	2.76	0.59	4.13	2.13	0.84	44
1 1/4"	3.15	0.77	4.72	2.58	1.41	62
1 1/2"	3.39	0.98	5.51	2.84	1.87	80
2"	3.98	1.26	5.91	3.19	2.82	133
2 1/2"	4.69	1.5	6.69	3.8	4.94	212
3"	5.51	1.93	7.28	4.13	6.57	265
4"	7.32	2.52	8.66	4.65	13.67	469